

LEXA

NFS RATED HIGH BAY



Brightman™
design efficiency



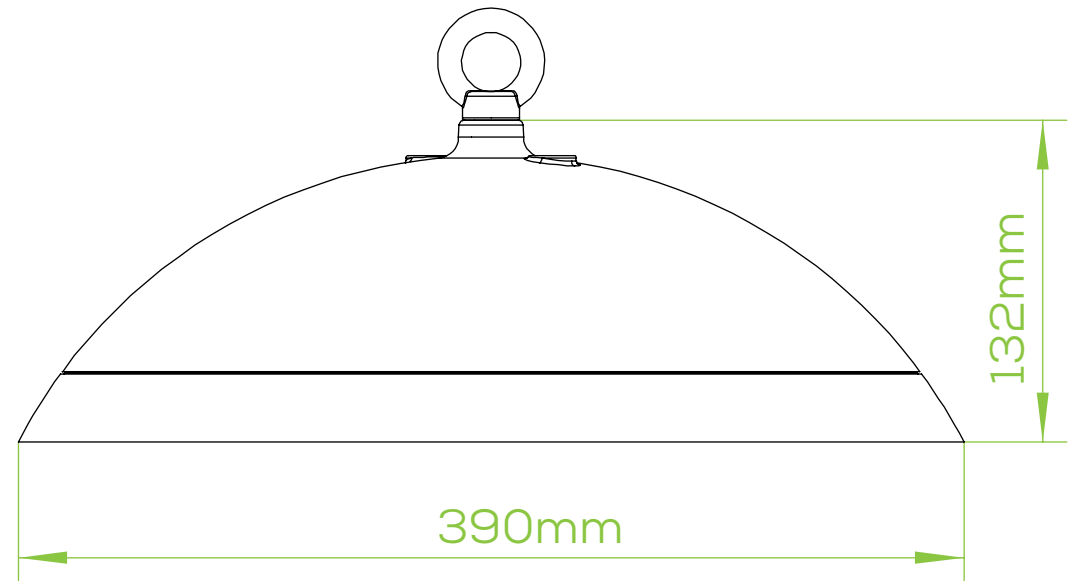
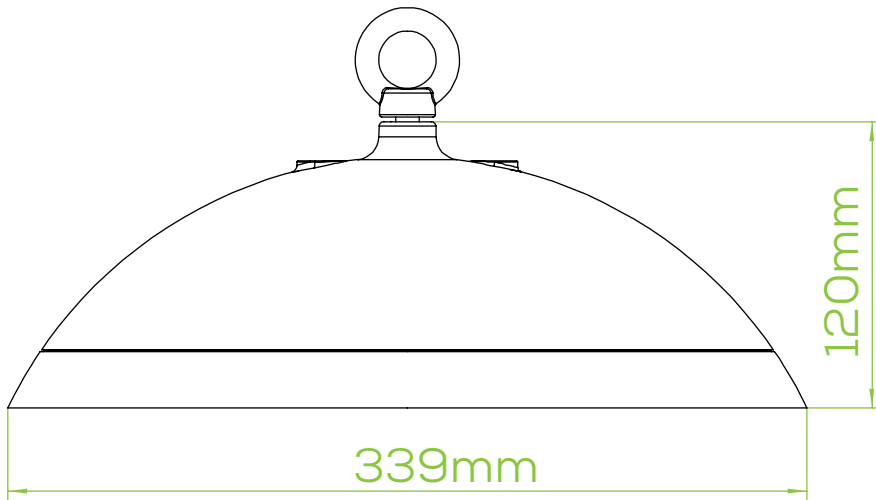
TECHNICAL DATA

LEXA NFS CERTIFIED HIGH BAY

LED Power	50W	80W	100W	120W	150W
Input Voltage	AC120-277V/ AC277-480V				
LED Chips	Seoul SMD LED				
Driver	Mean Well				
Dimmable	YES				
Led Luminous Efficiency	140lm /w				
Luminous Flux	17,000lm	11,200lm	14,000lm	16,800lm	21,000lm
Colour Temperature	2700-6500K				
Colour Rendering Index	Ra≥70				
Bean Angle	30°, 60°, 90°, 80°×150°				
Illuminance Design	LED+lens				
Working Temperature	-30 to +45 oC				
Working Humidity	15%~ 90% RH				
IP Rating	IP67				
Net weight	4.6kg	4.6kg	4.6kg	5.2kg	5.2kg
Life-span	>55,000hrs				
Power Cable	1.0mm ² Triple shield wire				
Connection Wire	Brown=Live, Blue=Neutral, Yellow=Earth				
Housing Material	Food Grade Aluminium				
Housing Colour	White or Yellow				
Available Options	DALI Dimmer, Microwave or PIR Sensor				

PHYSICAL DATA

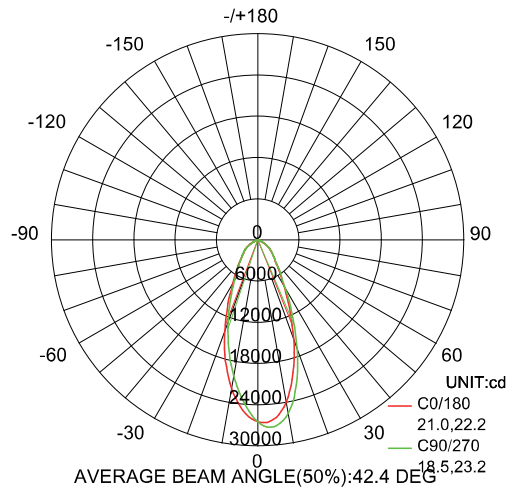
LEXA NFS CERTIFIED HIGH BAY



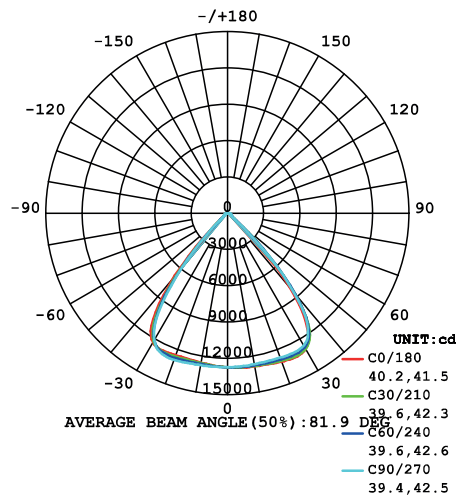
PHOTOMETRIC DISTRIBUTION

LEXA NFS CERTIFIED HIGH BAY

45°



90°



120°

