

ORION

LED HIGH BAY

200W



Brightman™
design efficiency



TECHNICAL DATA

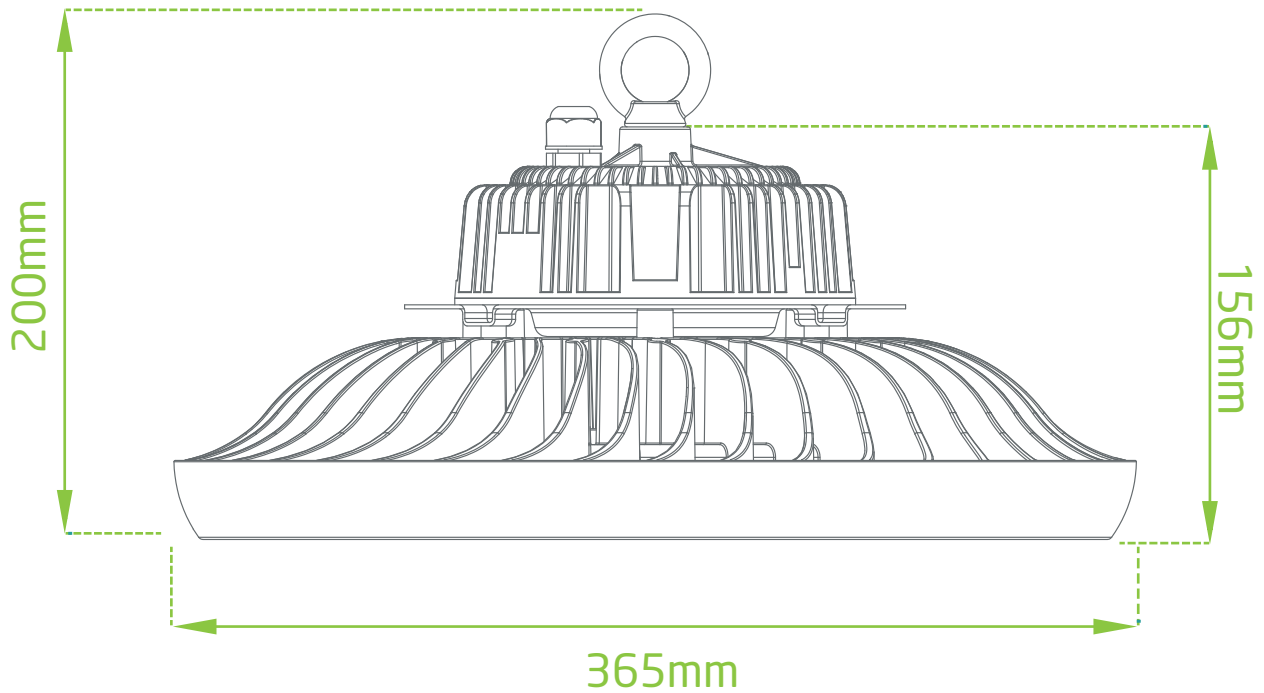
ORION 200W LED HIGH BAY

Input Voltage	AC100-240V ~ 50/60 Hz
LED Chips	Philips
Driver	TomCarline
LED QTY	322pcs
LED Power	200W
Led Luminous Efficiency	130lm /W
Luminous Flux	26,000lm
Power Factor	>0.90
Colour Temperature	5,000K
Colour Rendering Index	Ra≥70
Bean Angle	110°
Illuminance Design	LED+lens
Working Temperature	-20°C ~ 69°C
Working Humidity	15%~ 90% RH
IP Rating	IP65
Net weight	7.0Kg
Life-span	>50,000hrs
Power Cable	1.0mm ² Triple shield wire
Connection Wire	Brown=Live, Blue=Neutral, Yellow=Earth
Housing Material	Diecast Aluminium
Housing Colour	Black
Available Options	DALI Dimmer, Microwave or PIR Sensor

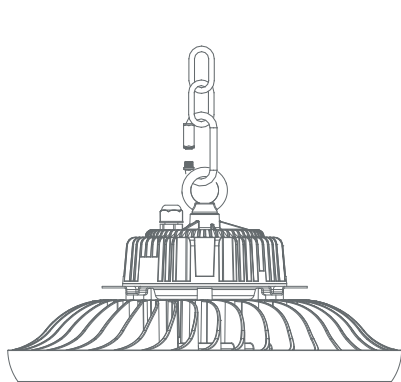


DIMENSIONS

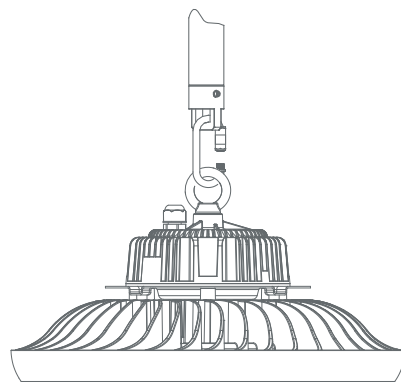
ORION 200W LED HIGH BAY



MOUNTING OPTIONS



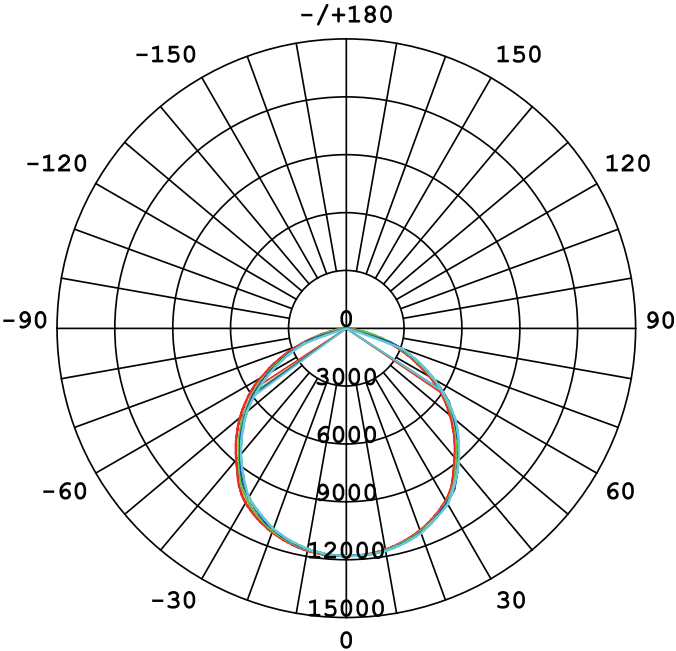
HOOK/CHAIN MOUNTING



POLE MOUNTING

PHOTOMETRIC DISTRIBUTION

ORION 200W LED HIGH BAY



Flux out: 24622 lm

