

# ORION

LED HIGH BAY

# 150W



**Brightman™**  
design efficiency



# TECHNICAL DATA

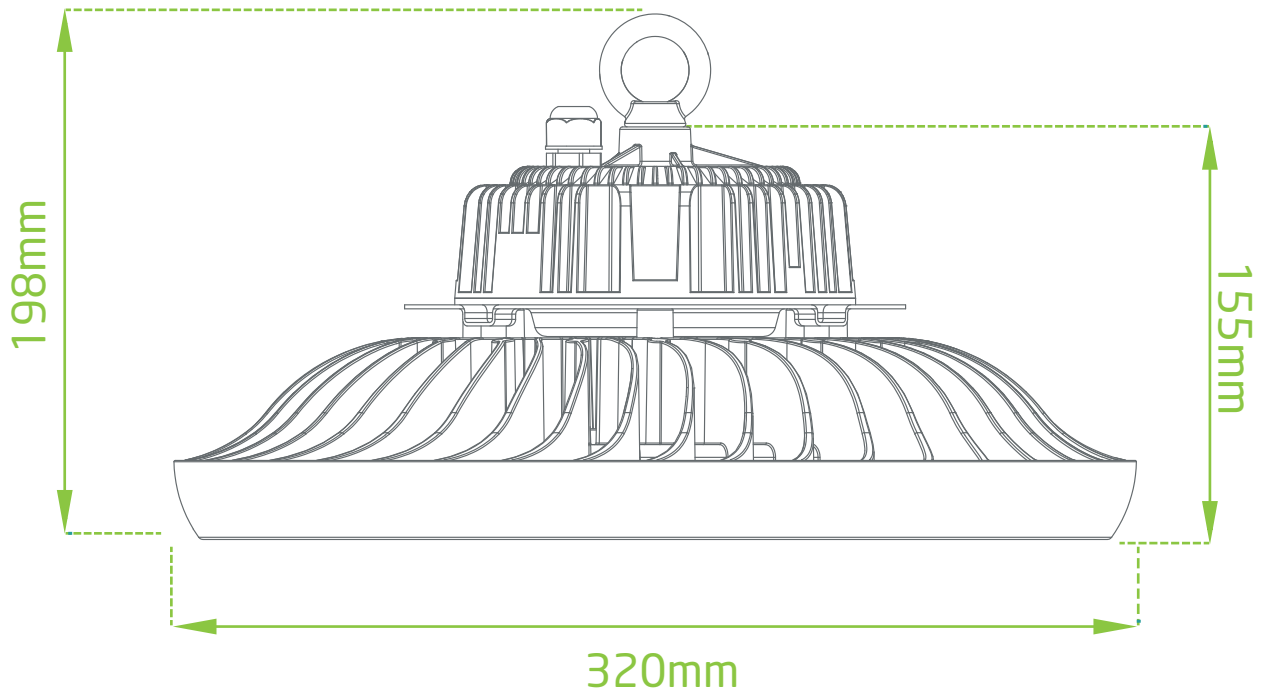
## ORION 150W LED HIGH BAY

Input Voltage	AC100-240V ~ 50/60 Hz
LED Chips	Philips
Driver	TomCarline
LED QTY	224pcs
LED Power	150W
Led Luminous Efficiency	130lm /W
Luminous Flux	19,500lm
Power Factor	>0.90
Colour Temperature	5,000K
Colour Rendering Index	Ra≥70
Bean Angle	110°
Illuminance Design	LED+lens
Working Temperature	-20°C ~ 69°C
Working Humidity	15%~ 90% RH
IP Rating	IP65
Net weight	5.3Kg
Life-span	>50,000hrs
Power Cable	1.0mm <sup>2</sup> Triple shield wire
Connection Wire	Brown=Live, Blue=Neutral, Yellow=Earth
Housing Material	Diecast Aluminium
Housing Colour	Black
Available Options	DALI Dimmer, Microwave or PIR Sensor

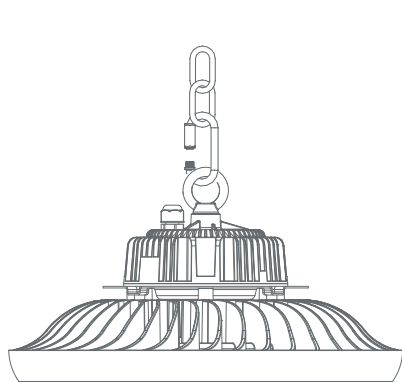


# DIMENSIONS

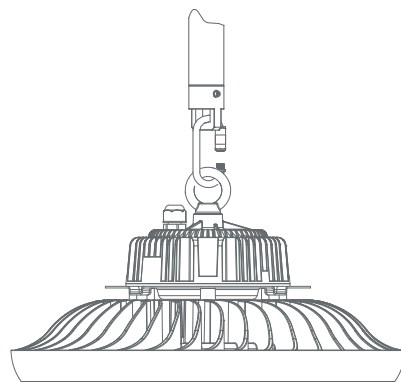
ORION 150W LED HIGH BAY



# MOUNTING OPTIONS



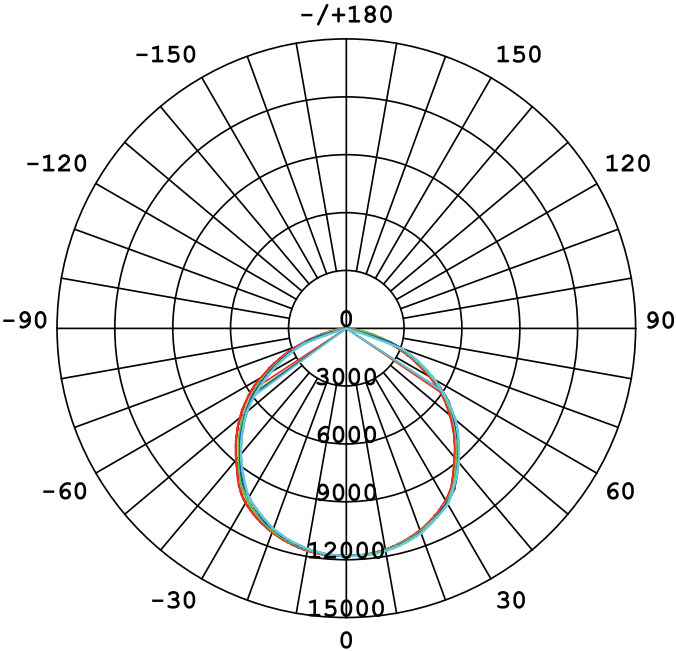
HOOK/CHAIN MOUNTING



POLE MOUNTING

# PHOTOMETRIC DISTRIBUTION

ORION 150W LED HIGH BAY



Flux out: 24622 lm

