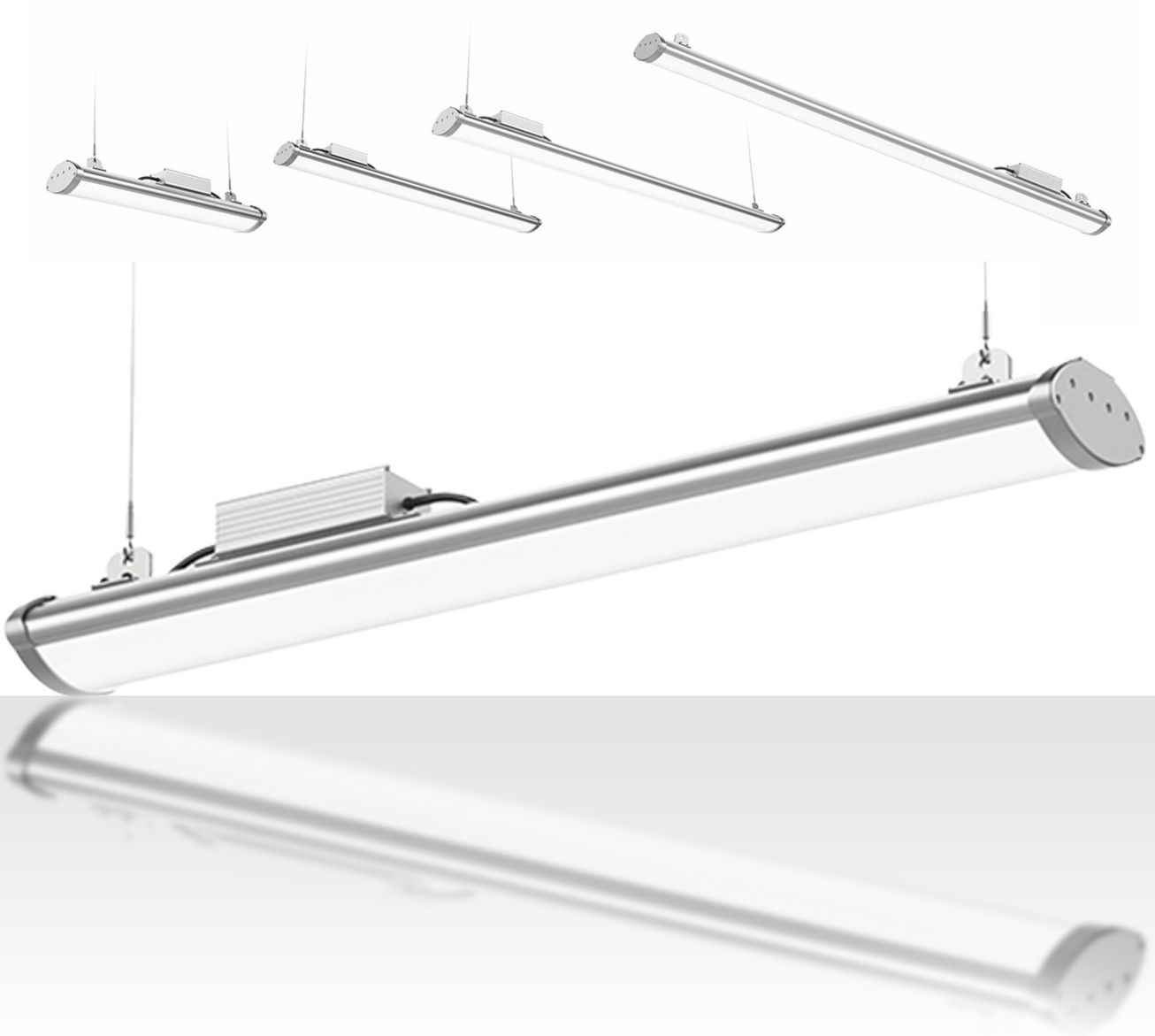


# DELTA LINEAR

---

# BR-T120W



**Brightman™**  
design efficiency



# TECHNICAL DATA

DELTA LINEAR BR-T120W

Input Voltage	AC110-277V ~ 50/60 Hz
LED Chips	Philips EMC3030
Driver	TOMCARLINE
LED Quantity	189pcs
LED Power	120W
Led Luminous Efficiency	140lm/w
Luminous Flux	16,800lm
Power Factor	>0.90
Colour Temperature	3000K / 4000K / 5000K / 6500K
Colour Rendering Index	Ra≥70
Beam Angle	120°
Dimmable	Optional 1-10V / DALI
Working Temperature	-20°C ~ 69°C
Working Humidity	10%~ 90% RH
IP Rating	IP65
Net weight	5.0Kg
Life-span	>50,000hrs
Power Cable	1.0mm <sup>2</sup> Triple shield wire
Connection Wire	Brown=Live, Blue=Neutral, Yellow=Earth
Housing Material	Aluminum & PC Cover
Housing Colour	Aluminium
Mounting Options	Chain or Surface



# DIMENSIONS

DELTA LINEAR BR-T120W

